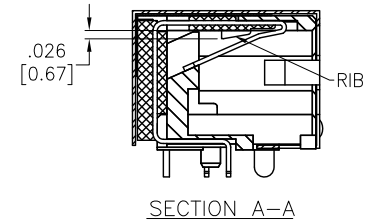
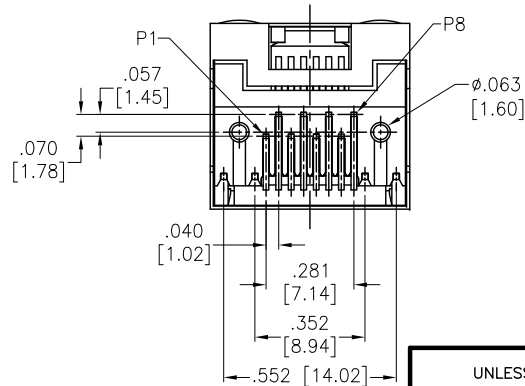
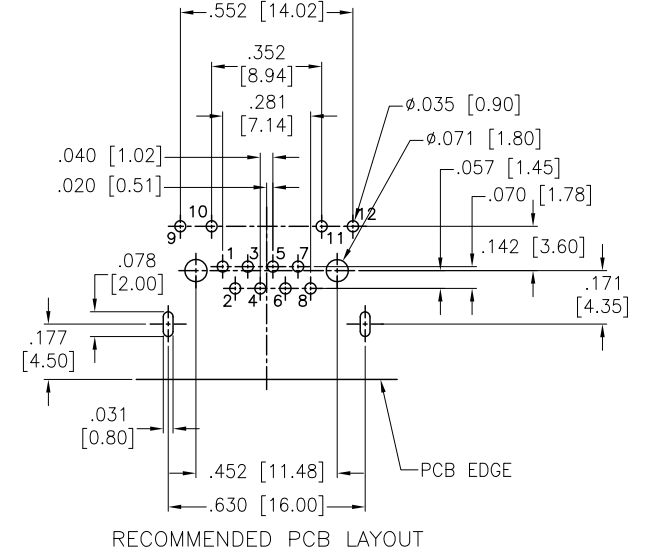
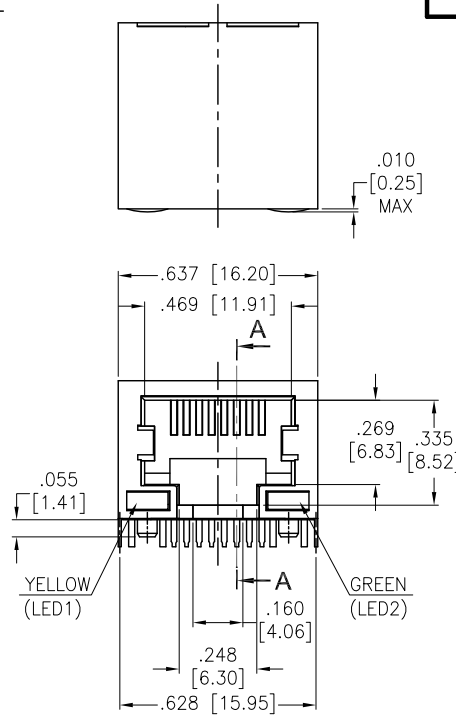
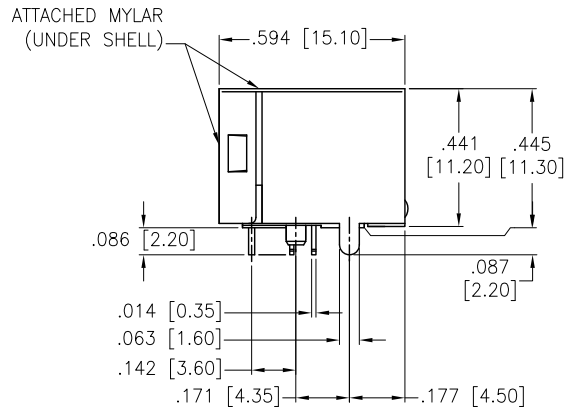


APPROVED: _____
 DATE: _____ TITLE: _____

| Rev | AWO # | Description | Date | Appr |
|-----|-------|----------------|----------|------|
| - | | RELEASED | 10/12/10 | |
| A | | UPDATE DRAWING | 4/15/16 | AY |

| LED CHARACTERISTIC | |
|--------------------|-----------------------|
| NO. | NODE |
| LED1 | 9+ \rightarrow -10 |
| LED2 | 11+ \rightarrow -12 |



| "X" | PLATING |
|-----|-----------------|
| 0 | 15 μ m Gold |
| 1 | 30 μ m Gold |
| 2 | 50 μ m Gold |

SPECIFICATIONS:

Material:
 Insulator: Nylon 46, Glass fiber, rated UL 94V-0
 Insulator color: Black
 Contacts: Phosphor Bronze
 Shield: Brass, Nickel plated
 LED Solder Tail: Steel, Tin plated
 Contacts Plating:
 Round contact
 Gold over Nickel underplate overall
 Flat contact
 Gold over Nickel underplate on contact area,
 Tin over Nickel underplate on solder tails
 (See chart for thickness)

Electrical:
 Voltage rating: 150 VAC max
 Current rating: 1.5 Amp max
 Contact resistance: 20 mohms max
 Insulation resistance: 500 Mohms min @ 500 VDC
 Dielectric withstanding voltage: 1500 VAC for 1 minute
 Temperature Rating:
 Operating temperature: -40°C to +85°C
 Environmental:
 Lead free, RoHS compliant.



| | | | | | |
|---|-------------------------------|---|--------------------------------------|-------------------|---------------------|
| UNLESS OTHERWISE SPECIFIED ALL DIMENSIONS ARE INCHES [MM] TOLERANCES: EXCEPT AS NOTED | | <h1>ADAM TECH</h1> <p>909 Rahway Avenue, Union, NJ 07083 Phone: 908-687-5000 Fax: 908-687-5710</p> | | | |
| INCHES HOLES | | | | | |
| .X \pm .10 | \varnothing .X \pm .10 | TITLE MODULAR TELEPHONE JACK, 8P8C W/ LED1 YELLOW LED2 GREEN | | | |
| .XX \pm .020 | \varnothing .XX \pm .015 | | | | |
| .XXX \pm .015 | \varnothing .XXX \pm .010 | SIZE X | PART NO. MTJ-88AAX1-FSV-LG | REV. A | |
| APPROVALS DRAWN AY 10/12/10 CHECKED AW 10/12/10 APPROVED | | DATE 10/12/10 | REF: S00065T | SCALE: NTS | SHEET 1 OF 1 |